

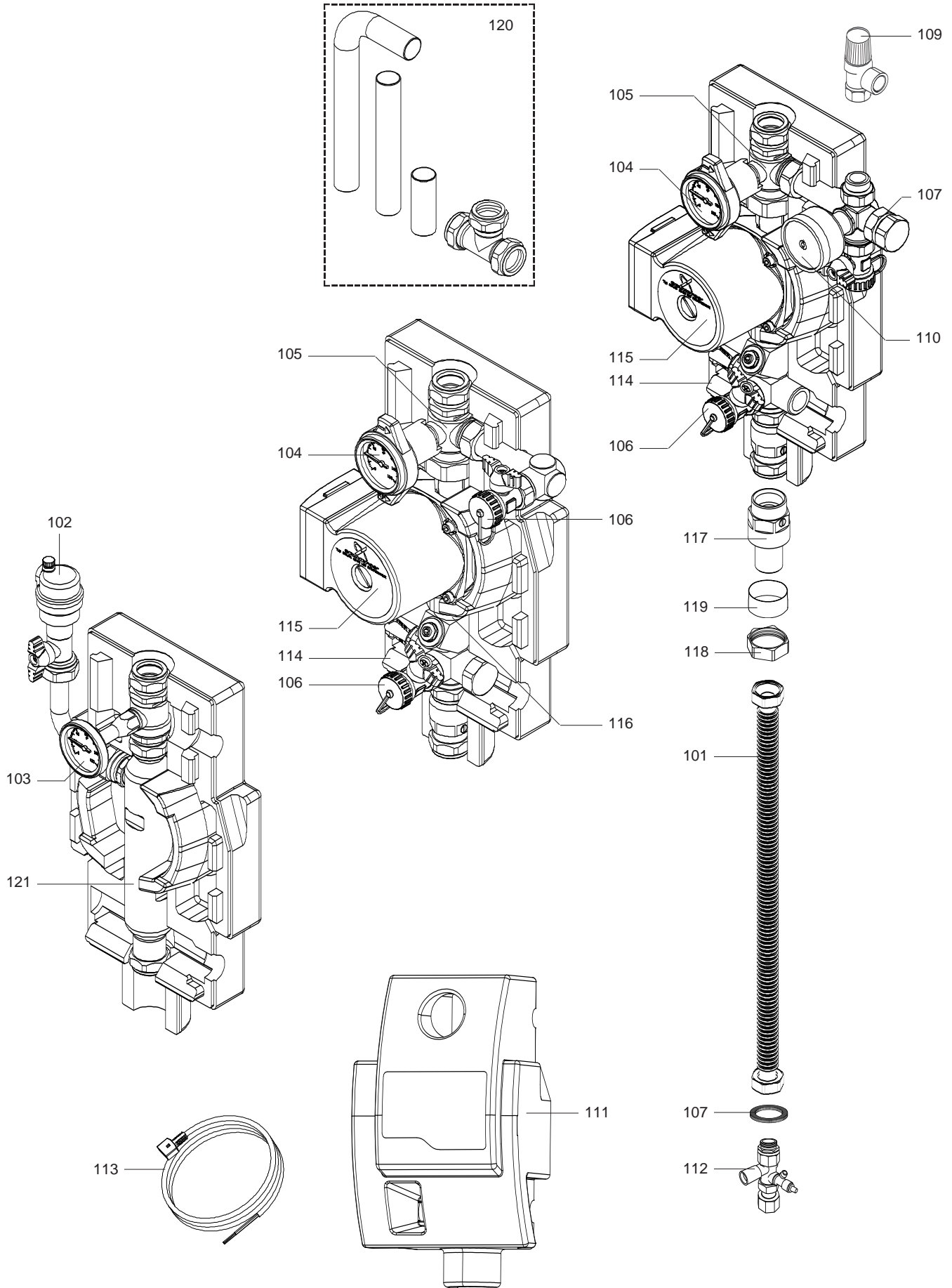
# SPARE PARTS EXPLODED VIEW RENEWABLE

Model

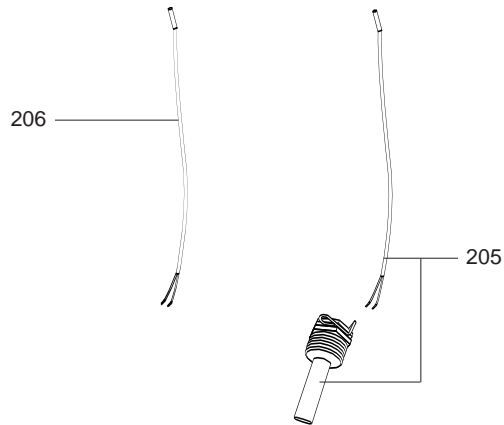
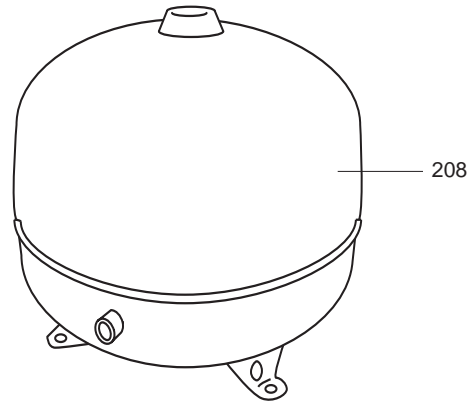
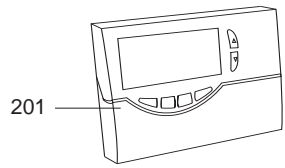
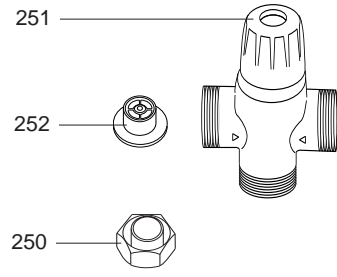
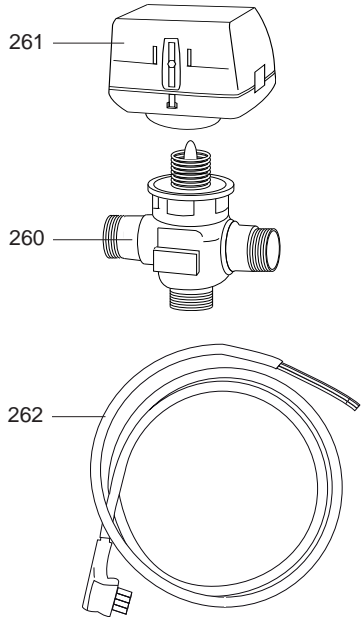
## **SOLAR ACCESSORIES**

R8216141-01EN - Edition 01 - 01/02/2008

12060760		PUMP GROUP SOLAR - BASIC PUMP 15X40 (AR)	...	...
12060771		PUMP GROUP SOLAR - BASIC PUMP 15X60 (AR)	...	...
12060782		PUMP GROUP SOLAR - CASCADE 15X40 (AR)	...	...
12060793		PUMP GROUP SOLAR - CASCADE 15X60 (AR)	...	...
12060804		PUMP GROUP SOLAR - FLOW (AR)	...	...
12002737		EXPANSION VESSEL 35 LITERS	...	...
4448666440		EXPANSION VESSEL 18 LITERS	...	...
4448666451		EXPANSION VESSEL 25 LITERS	...	...
3104047		SOLAR MAIN CONTROL UNIT ARISTON - ELIOS 25 -	...	...
3104048		COLLECTOR SOLAR SENSOR	...	...
3104049		SANITARY SOLAR SENSOR	...	...
3087023		THERM. WARM WATER MIXING VALVE SET (CU)	...	...
3087085		3 WAY VALVE 230 V	...	...
Reference	Ind.	Model type	Begin	End



Key N	Description	Manf. Pt. N	Type	PUMP - BASIC	PUMP - CASCADE	PUMP - FLOW									Manf. date			
							from	to										
<b>0100</b>	<b>HYDRAULIC BLOCK</b>																	
0101	FLEXIBLE PIPE INOX 3/4" L:480	60000416		•														
0102	AUTOMATIC DRAIN SCREW 3/8"	60000419			•													
0103	RED THERMOMETER 0-120°C D:50/10-D:5/50	60000415			•													
0104	BLUE THERMOMETER 0-120°C D:50/10-D:5/50	60000414		•	•													
0105	TAP DN 20	60000410		•	•													
0106	FEED/DRAIN COCK	60000406		•	•													
0107	GASKET D:17/24X2	60000417		•														
0109	PRESSURE RELIEF VALVE 6 BARS R 1/2"	60000411		•														
0110	PRESSURE GAUGE 0-6 BAR D:50 3/8"	60000413		•														
0111	INSULATION	60000398		•	•	•												
0112	CONNECTION M 3/4	60000418		•														
0113	CABLE (/ Pump)	60000420		•	•													
0114	VALVE ADJUSTEMENT CIRCUIT 0.5-7 L/MIN	60000407		•	•													
	VALVE ADJUSTEMENT CIRCUIT 2-16 L/MIN	60000408		•	•													
	VALVE ADJUSTEMENT CIRCUIT 4-36 L/MIN	60000409		•	•													
0115	PUMP UP 15/40	60000399		•	•													
	PUMP UP 15/60	60000400		•	•													
0116	GASKET D:21/30X2	60000402			•													
0117	NON-RETURN VALVE M28 X 1.5	60000405		•														
0118	NUT M 28-1.5	60000403		•														
0119	LOCKING RING D:22	60000404		•														
0120	HYDRAULIC CONNECTIONS (CASCADE)	65106900			•													
0121	AIR RELEASE PIPE	65106901			•													




Key N	Description	Manf. Pt. N	Type										Manf. date	
													from	to
<b>0200</b>	<b>ACCESSORY</b>													
0201	SOLAR MAIN CONTROL UNIT ELIOS 25	65106000						•						
0205	COLLECTOR SOLAR SONDE	65106001							•					
0206	H.D.W. SOLAR SENSOR	65106002								•				
0208	EXPANSION VESSEL 25L	60000421					•							
	EXPANSION VESSEL 35L	60000422					•							
	EXPANSION VESSEL 18 LITRE WALL HUNG	65106626					•							
0250	UNION	65106661							•					
0251	THERMOSTATIC MIXER	65106662							•					
0252	ONE-WAY VALVE	65106663							•					
0260	3 WAY VALVE BODY	65106664								•				
0261	ACTUATOR	65106665								•				
0262	CABLE WITH MOLEX CONNECTOR	65106666								•				

**SOLAR ACCESSORIES**

## IDENTIFICATION PLATE


### SERIAL NUMBER

Ex: 03 09 08 (Until 12/06)



  
 Manufacturing day  
 Month of manufacture : from 1 to 12 → January to December  
 Year of manufacture

OR

Ex: 02 11 00001 007843


  
 Product reference  
 Sequential number  
 Month of manufacture  
 Year of manufacture

Ex: 3200050 XX 070115 0000001 (From 01/07)


  
 Sequential number  
 Year (07) / Month (01) / Manufacture day (15)  
 Product reference

The indications mentioned on the prices, commercial or technical literature and the scheme are written for your guidance and are available at a given time. The CONSTRUCTOR retains the power to modify the presentation, the form, the size, the conception or the material of the products.