



SPARE PARTS LIST
ELECTRIC WATER HEATER GEYSER

Models

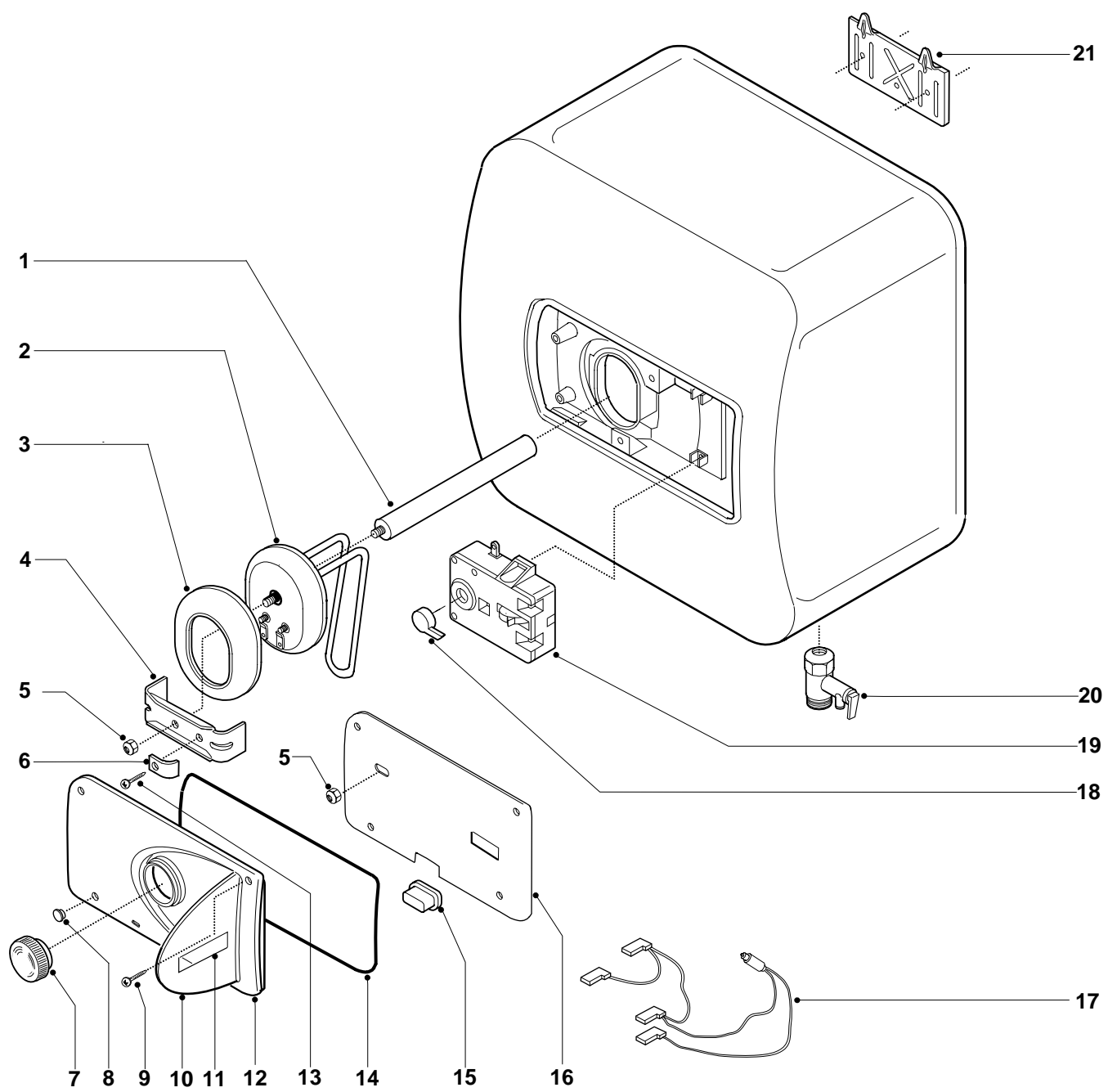
PX 10 EE

PX 15 EE

PX 30 EE

Edition 1 of 1 November 1997





MODELS	CODE	SERIAL NO. VALIDITY	REF.
PX 10 EE	868036	981001	A
PX 15 EE	868038	981001	B
PX 30 EE	868040	981001	C

PART.	CODE	DESCRIPTION	REF.	NOTE
1	570241	Magnesium anode 30 LT L=210	C	
1	574305	Magnesium anode 2 1/2 gallon Model P10	AB	
2	810784	Heating element 1500W-230V S.G.	C	
2	810835	Heating element 1500W-230V S.G.	AB	
3	570016	Flange gasket		
4	570024	Flange bracket		
5	570069	Heating element retaining nut		
6	570063	Graundig terminal		
7	572768	Control knob		
8	572767	Screw cover		
9	570074	Plastic cover retaining screw		
10	572766	Plastic cover door		
11	571403	Plastic cover door glass		
12	572765	Palstic cover		
13	570078	Tapping screw M4x8		
14	571406	Plastic cover gasket		
15	570025	Switch protection		
16	571400	Splash preventer		
17	570077	Signal lamp and wiring		
18	570029	Temperature regulation pipe		
19	691499	Thermostat	AB	
19	691598	Thermostat	C	
20	571730	Safety valve		
21	570341	Heater wall hanging bracket		
101	570414	Power supply cable		11
102	573266	NF cable clamp		11

NOTE	DESCRIPTION
11	Not illustrated

USEFUL TIPS

Instructions for the reader

This manual of "SPARE PARTS LIST ELECTRIC WATER HEATER GEYSER" is designed to help you find the right spare part for repairs quickly and easily.

The drawings and list of spare parts refer only to the models shown in the table under the drawing.

Remember that the list of spare parts will help you find:

- the position in the drawing of all the parts available as spares under the ("PARTS" column);
- the code to use when requesting the spare part;
- a brief description of the spare part;
- the applicability of the spare part to specific models ("REF." column). If the box is blank, the spare part may be used for all the models to which the blow up refers;
- comments.

Requesting spare parts

When ordering spare parts remember to specify the code and number of parts required, as well as the name and address of the company requestin the spare part.

Orders should be sent by fax to MTS S.P.A., on the following numbers:

0732-626473 (FAX)

0732-628773 (FAX)

Contacting the MTS S.P.A. Servicing Centre

The MTS S.P.A. Servicing Centre has a special department that provides detailed information on how to resolve any of the technical problems that may be encountered with the ELECTRIC WATER HEATER GEYSER. Servicing Centres may use this service by calling the following number:

0732-626226

8300064
13/1/98