



RYSUNEK ROZSTRZELONY  
ELEKTRYCZNY PODGRZEWACZ WODY

Model

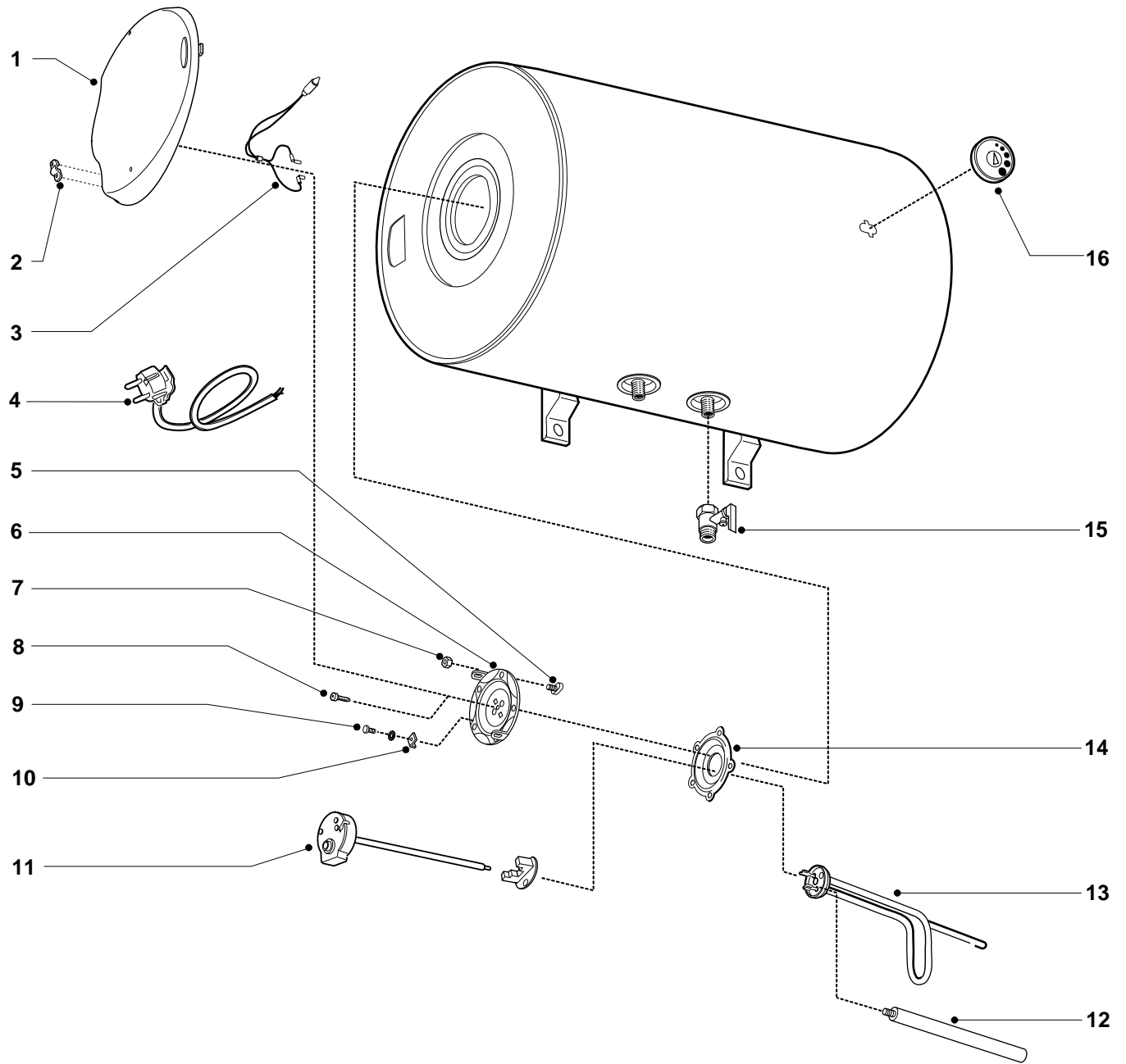
**TI 80 H PL**

**TI 100 H PL**

---

1 November 2000





ER2000830019501001

| MODEL       | KOD    | SERIAL NO. VALIDITY | REF. |
|-------------|--------|---------------------|------|
| TI 80 H PL  | 869399 | 001101              | A    |
| TI 100 H PL | 869403 | 001101              | B    |

| NR  | KOD    | OPIS                 | REF. | NOTE |
|-----|--------|----------------------|------|------|
| 1   | 993185 | Obudowa plastikowa   |      |      |
| 2   | 993154 | Uchwyt przewodu      |      |      |
| 3   | 993025 | Lampka kontrolna     |      |      |
| 4   | 571751 | Przewod zasilajacy   |      |      |
| 5   | 570316 | Sruba                |      |      |
| 6   | 571755 | Kryza                |      |      |
| 7   | 570127 | Nakretka             |      |      |
| 8   | 993000 | Wkret                |      |      |
| 9   | 993015 | Sruba                |      |      |
| 10  | 570063 | Zlaczce uziemienia   |      |      |
| 11  | 691215 | Termostat            |      |      |
| 12  | 993014 | Anoda magnezowa      |      |      |
| 13  | 816712 | Grzalka 1500 W       |      |      |
| 14  | 570393 | Uszczelka            |      |      |
| 15  | 571730 | Zawor bezpieczenstwa |      |      |
| 16  | 993156 | Termometr            |      |      |
| 101 | 469989 | Kolki plastikowe     |      | 11   |

| NR | OPIS             |
|----|------------------|
| 11 | Nie zilustrowano |